

# SPECIFICATION

REFOND P/N

RF-BNRA30DS-BB-C

R&D

Mass Production



## Contents

|   |       |
|---|-------|
| 1. Description  | 3     |
| 1.1 General Description   | 3     |
| 1.2 Features  | 3     |
| 1.3 Application   | 3     |
| 1.4 Package Dimension   | 4     |
| 1.6 Bin Range Of Forward Voltage and Luminous Intensity (IF=10mA) | BIN   |
| (IF=10mA)   | 6     |
| 1.7 Typical Optical Characteristics Curves                        | 7     |
| 2. Packaging  | 11    |
| 2.1 Packaging Specification                                       | 11    |
| 2.1.1 Carrier Tape Dimension                                      | mm 11 |
| 2.1.2 Reel Dimension  | 11    |
| 2.1.3 Label Form Specification                                    | 12    |
| 2.2 Moisture Resistant Packing                                    | 12    |
| 2.3 Cardboard Box   | 12    |
| 2.4 Reliability Test Items And Conditions                         | 13    |
| 2.5 Criteria For Judging Damage                                   | 14    |
| 3. SMT Reflow Soldering Instructions SMT                          | 15    |
| 3.1 SMT Reflow Soldering Instructions SMT                         | 15    |
| 4. Handling Precautions   | 17    |
| 4.1 Handling Precautions  | 17    |



# 1. Description

## 1.1 General Description



The Blue source color devices are made with GaN on Substrate Light Emitting Diode .  
 Product Package:3.50mmX2.80mmX1.84mm.

LED GaN

3.50mmX2.80mmX1.84mm

## 1.2 Features

PLCC2 Package. PLCC2

Extremely wide viewing angle.

Suitable for all SMT assembly and solder process. SMT

Available on tape and reel.

Moisture sensitivity level: Level 2. Level2

Compliance with RoHS and REACH. 符合RoHS和REACH要求

Qualifications: The product qualification test plan is based on the guidelines of AEC-Q101  
 Stress Test Qualification for Automotive Grade Discrete Semiconductors

AEC-Q101

## 1.3 Application

Automotive Interior Lighting. 汽 内 照明  
 Switches. 开关



## 1.4 Package Dimension



### Notes

1. All dimensions units are millimeters.
2. All dimensions tolerances are  $\pm 0.2$

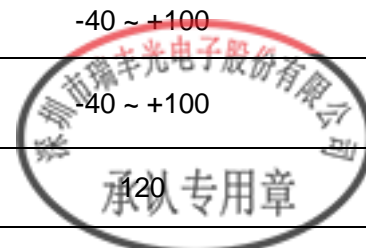
## 1.5 Product Parameters

Table 1-1 Electrical / Optical Characteristics at Ts=25°C

| Item                | Symbol      | Test Condition | Value |      |       | Unit    |
|---------------------|-------------|----------------|-------|------|-------|---------|
|                     |             |                | Min.  | Typ. | Max.  |         |
| Forward Voltage     | $V_F$       | $I_F=10mA$     | 2.5   | 2.7  | 3.1   | V       |
| Reverse Current     | $I_R$       | $V_R=5V$       | ---   | ---  | 10    | $\mu A$ |
| Luminous Intensity  | $I_V$       | $I_F=10mA$     | 120   | 180  | 230   | mcd     |
| Dominant wavelength | $\lambda_d$ | $I_F=10mA$     | 467.5 | 469  | 472.5 | nm      |
| Viewing Angle       | 2 1/2       | $I_F=10mA$     | ---   | 120  | ---   | deg     |
| Thermal Resistance. | $R_{THJ-S}$ | $I_F=10mA$     | ---   | ---  | 180   | /W      |

Table 1-2 Absolute Maximum Ratings at Ts=25°C

| Parameter                     | Symbol    | Rating     | Units |
|-------------------------------|-----------|------------|-------|
| Power Dissipation             | $P_D$     | 93         | mW    |
| Forward Current               | $I_F$     | 30         | mA    |
| Peak Forward Current          | $I_{FP}$  | 100        | mA    |
| Reverse Voltage               | $V_R$     | 5          | V     |
| Electrostatic Discharge (HBM) | $E_{SD}$  | 2000       | V     |
| Operating Temperature         | $T_{OPR}$ | -40 ~ +100 |       |
| Storage Temperature           | $T$       | -40 ~ +100 |       |
| Junction Temperature          | $T_J$     | 120        |       |



## Notes

1. 1/10 Duty cycle, 10ms pulse width. 10ms, 1/10.
2. The above forward voltage measurement allowance tolerance is  $\pm 0.1V$ .  $\pm 0.1V$ .
3. The above color coordinates measurement allowance tolerance is  $\pm 0.005$ .  $\pm 0.005$ .
4. The above luminous intensity measurement allowance tolerance  $\pm 10\%$ .  $\pm 10\%$ .
5. Care is to be taken that power dissipation does not exceed the absolute maximum rating of the product.
6. All measurements were made under the standardized environment of Refond.
7. When the LEDs are in operation the maximum current should be decided after measuring the package temperature, junction temperature should not exceed the maximum rate

REFOND

### 1.7 Typical Optical Characteristics Curves

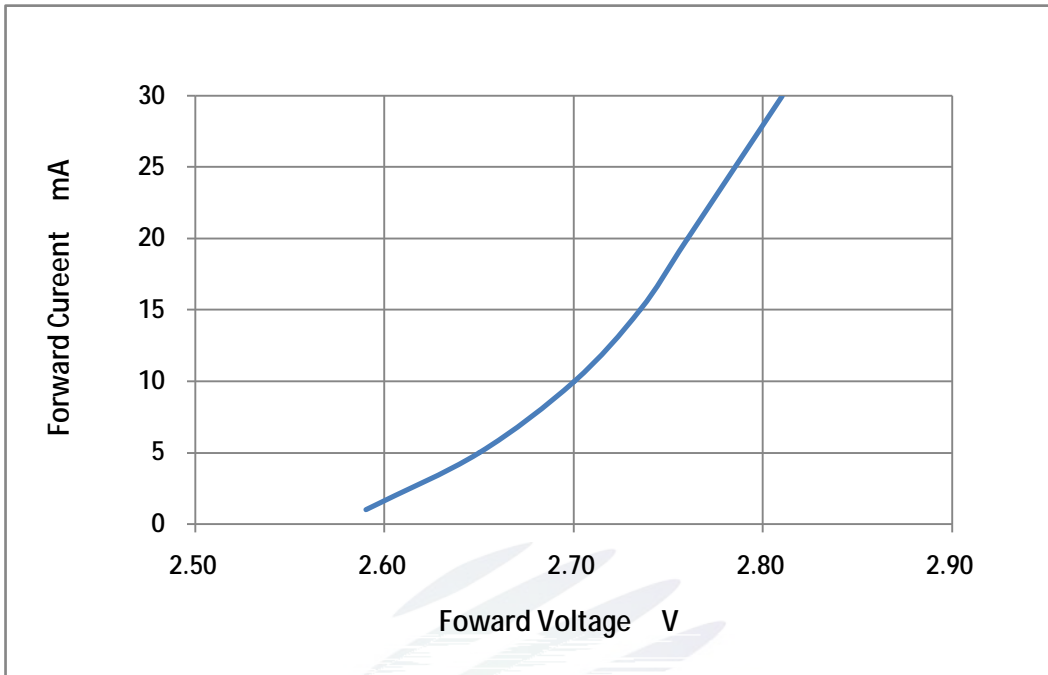


Fig. 1-7 Forward Voltage Vs Forward Current

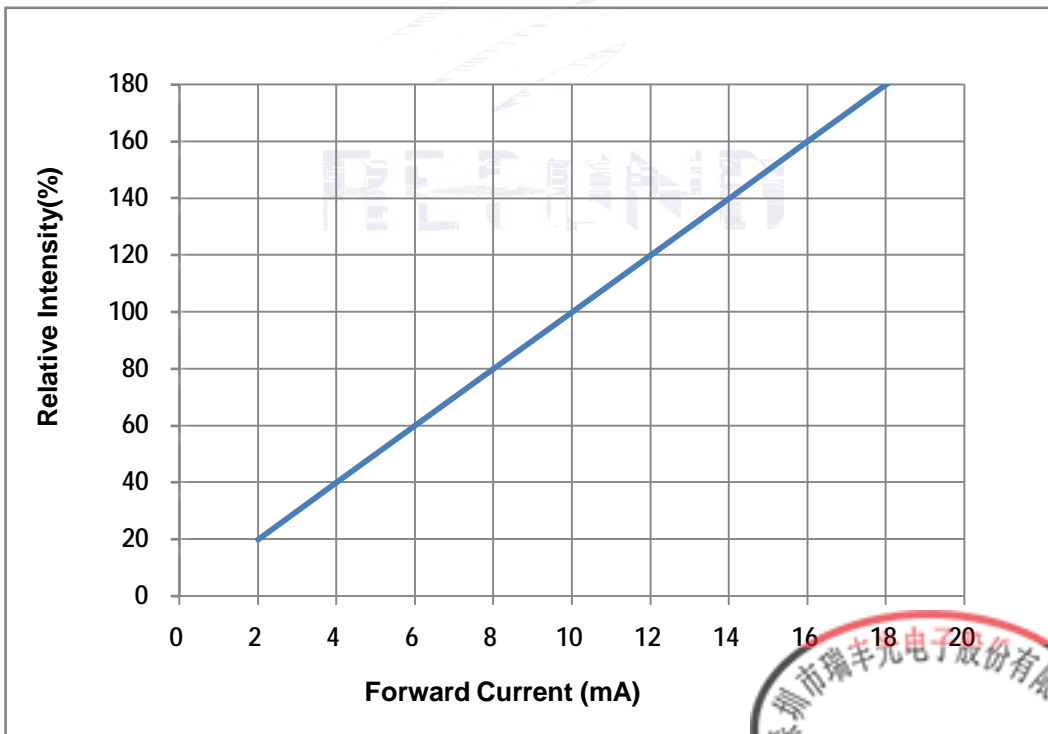


Fig. 1-8 Forward Current Vs Relative Intensity

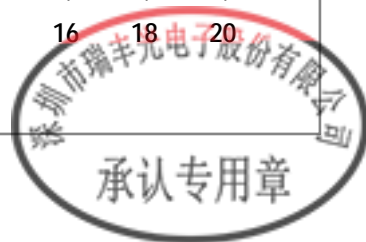


Fig. 1-9





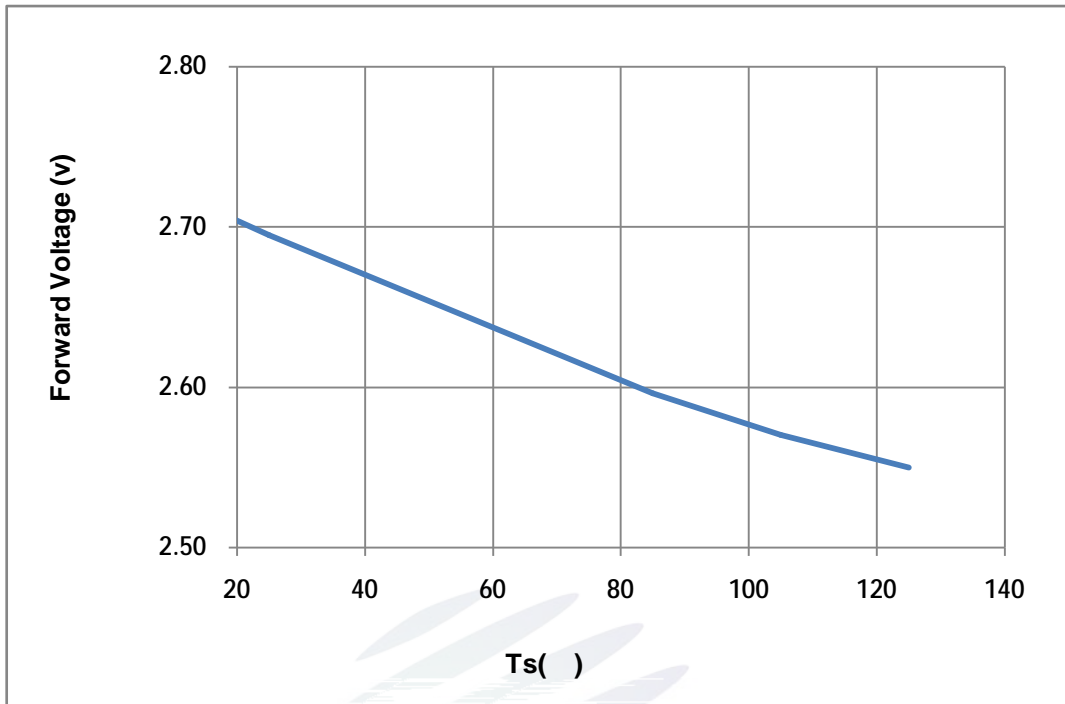


Fig. 1-11 Forward Voltage Vs Solder Temperature

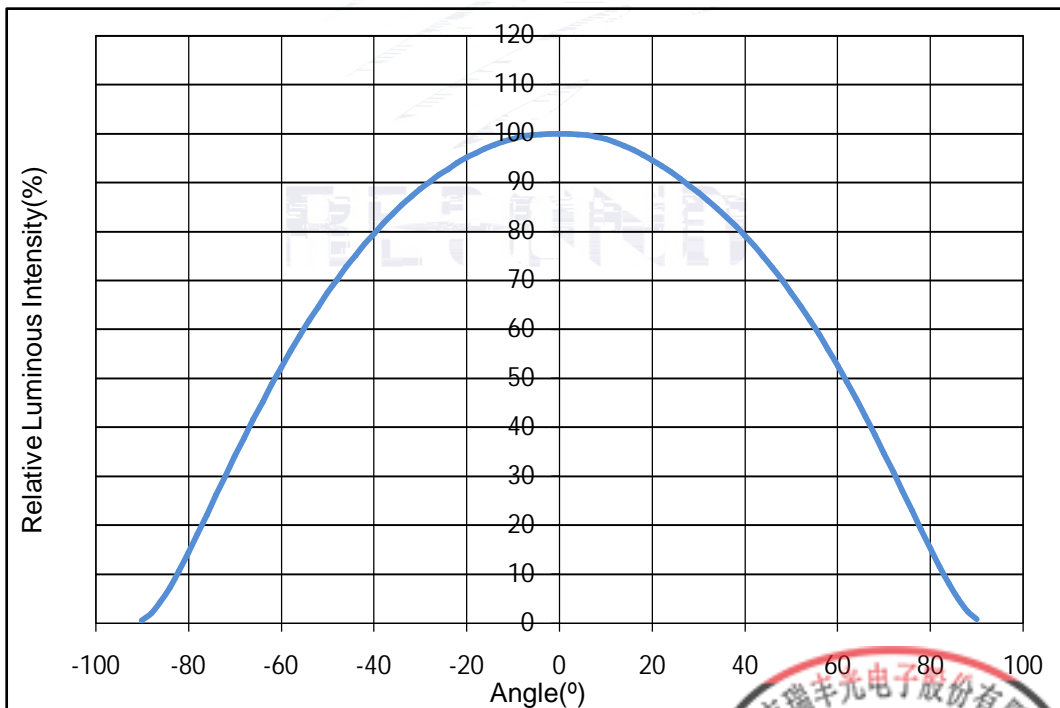


Fig. 1-12 Radiation diagram

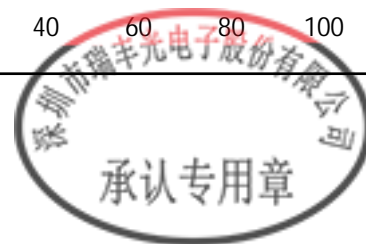


Fig. 1-13 Forward current vs. Dominate wavelength

(Ts=25°C)

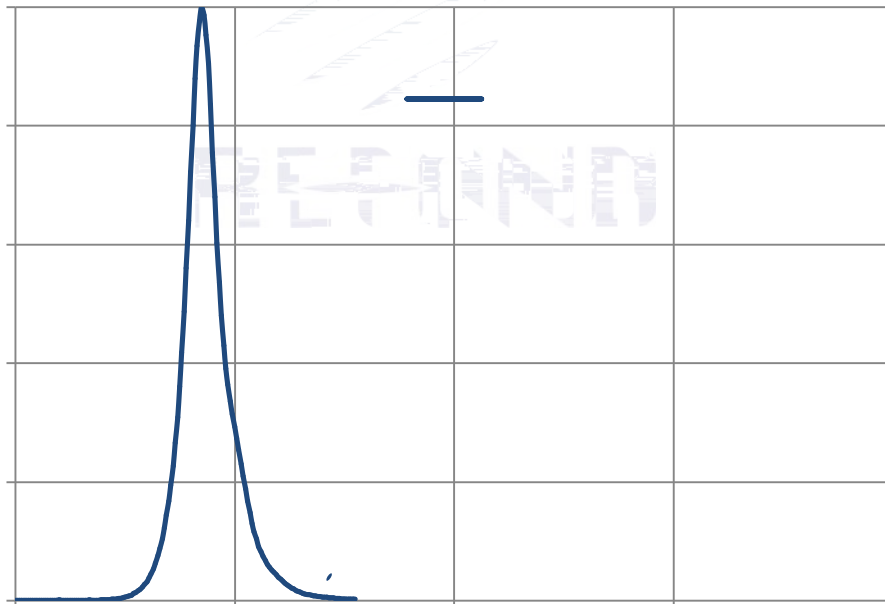


Fig. 1-14 Spectrum Distribution

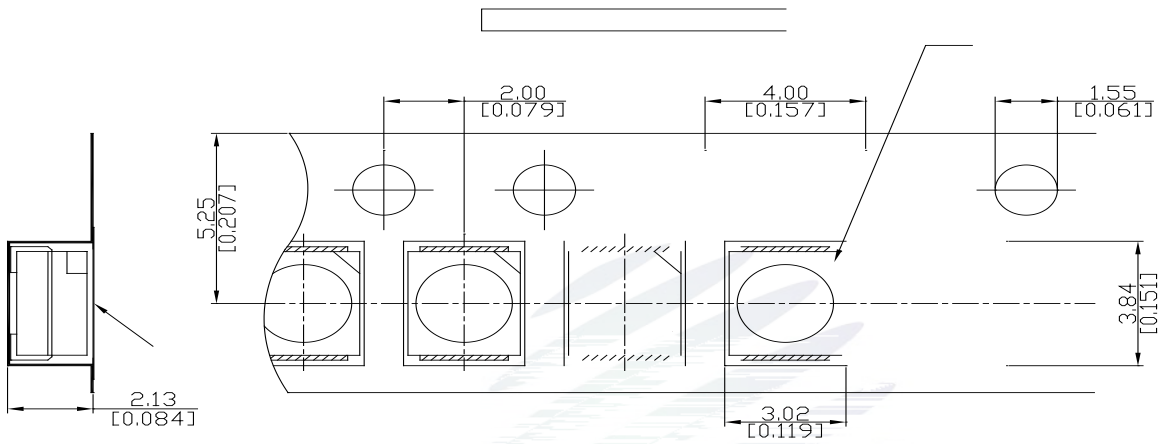


## 2. Packaging

### 2.1 Packaging Specification

Package:2000pcs/reel.      2000pcs

#### 2.1.1 Carrier Tape Dimension mm



REFOND

2.1.3 Label Form Specification

Table 2-2 Specification

|                |                  |
|----------------|------------------|
| PART NO.       | Part Number      |
| SPEC NO.       | Spec Number      |
| LOT NO.        | Lot Number       |
| BIN CODE       | Bin Code         |
|                | Luminous flux    |
| XY             | Chromaticity Bin |
| V <sub>F</sub> | Forward Voltage  |
| WLD            | Wavelength       |
| QTY            | Packing Quantity |
| DATE           | Made Date        |

Fig. 2-3 Label Form Specification

2.2 Moisture Resistant Packing

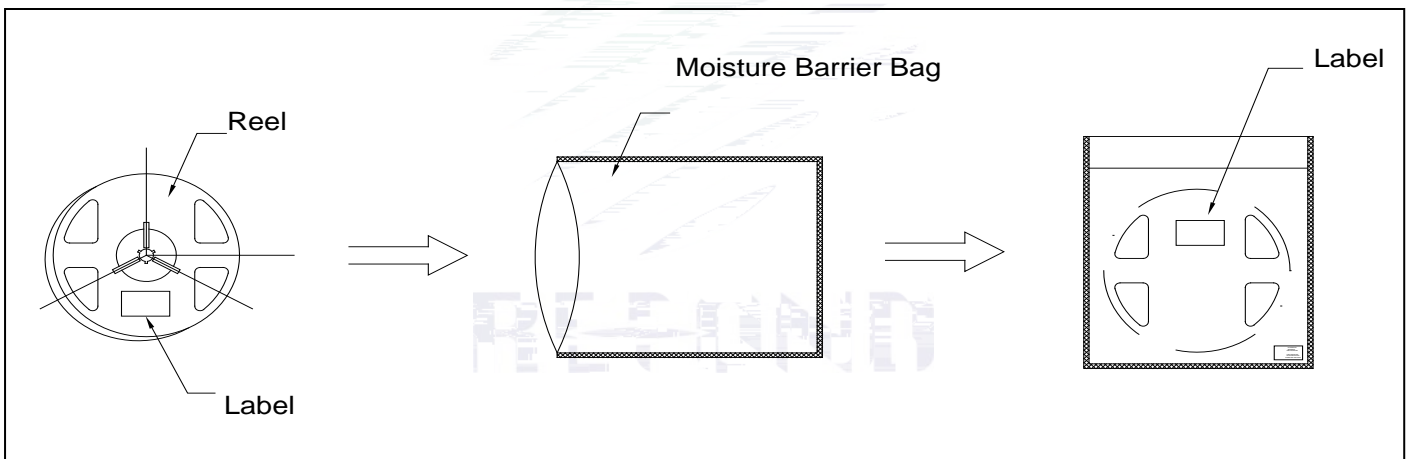


Fig.2-4 Moisture Resistant Packing

2.3 Cardboard Box

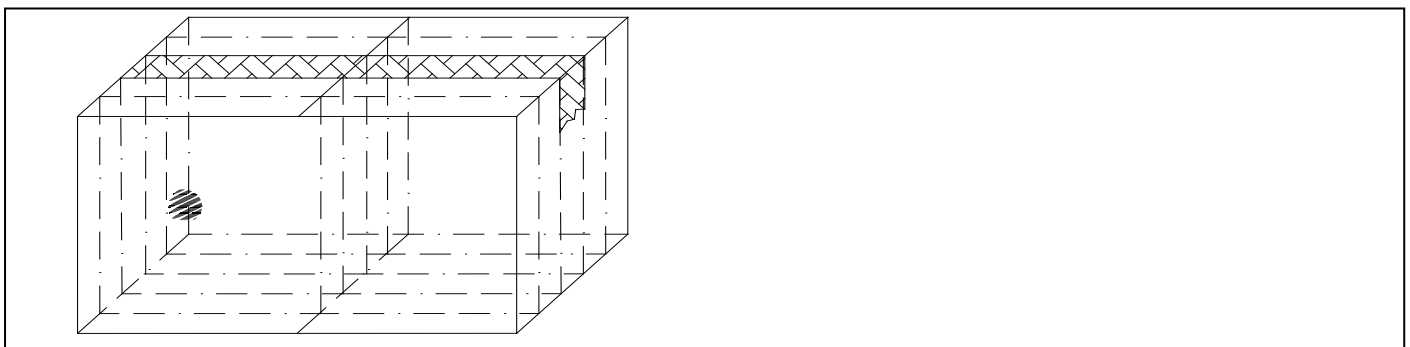


Fig.2- Cardboard Box

## 2.4 Reliability Test Items And Conditions

Table 2-3 Reliability Test Items And Conditions

| Test Items                                  | Ref.Standard           | Test Condition                | Time       | Quantity | Ac/Re<br>/ |
|---|------------------------|-------------------------------|------------|----------|------------|
| Reflow                                      | JESD22-B106            | Temp:260 max<br>T=10 sec      | 2times     | 20pcs.   | 0/1        |
| MSL2<br>2                                   | JESD22-A113            | 85 / 60%RH                    | 168 hrs.   | 20pcs.   | 0/1        |
| Thermal Shock                               | JEITAED-4701<br>300307 | -40 15min<br>10s<br>125 15min | 1000 cycle | 20pcs.   | 0/1        |
| Life Test                                   | JESD22-A108            | Ta=100<br>If=10mA             | 1000hrs.   | 20pcs.   | 0/1        |
| High Temperature<br>High Humidity Life Test | JESD22-A101            | 85 / 85%RH<br>If=10mA         | 1000hrs.   | 20pcs.   | 0/1        |



## 2.5 Criteria For Judging Damage

Table 2-4 Criteria For Judging Damage

| Test Items      | Symbol | Test Condition    | Criteria For Judgement |             |
|-----------------|--------|-------------------|------------------------|-------------|
|                 |        |                   | Min.                   | Max.        |
| Forward Voltage | $V_F$  | $I_F=10\text{mA}$ | -                      | U.S.L*)x1.1 |
| Reverse Current | $I_R$  | $V_R = 5\text{V}$ | -                      | U.S.L*)x2.0 |
| Luminous Flux   |        | $I_F=10\text{mA}$ | L.S.L*)x0.7            | -           |

### Notes

- 1.U.S.L: Upper standard level                      L.S.L: Lower standard level
- 2.The above reliability tests is based on the verification of a single/strip LED of Refond's existing experimental platform,the reliability experiment was taken under good heat dissipation conditions. when customers applies the LED to the series and parallel circuit, should take consideration of all the factors such as the current, voltage distribution, heat dissipation and others. / LED  
LED
- 3.The technical information shown in the data sheets is limited to the typical characteristics and circuit examples of the referenced products. It does not constitute the warranting of industrial property nor the granting of any license.



### 3. SMT Reflow Soldering Instructions SMT

#### 3.1 SMT Reflow Soldering Instructions SMT

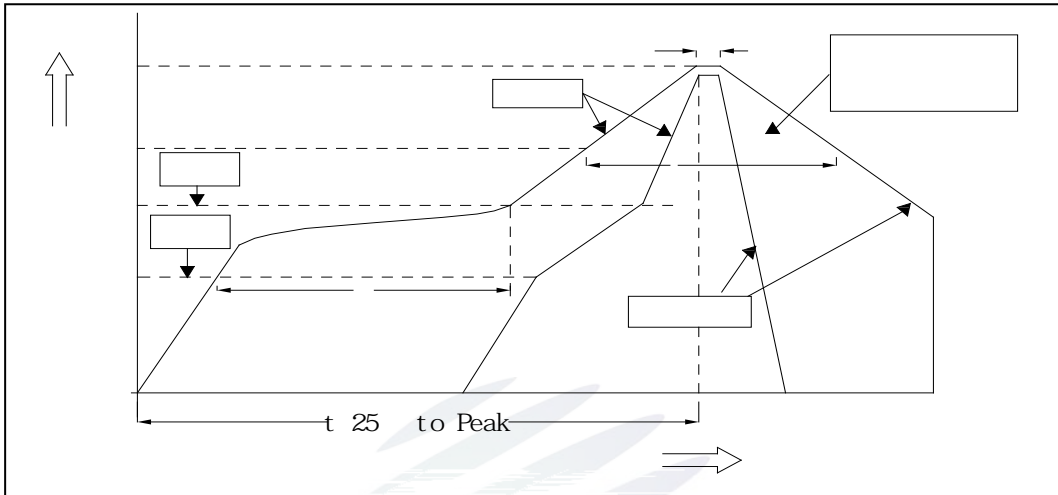
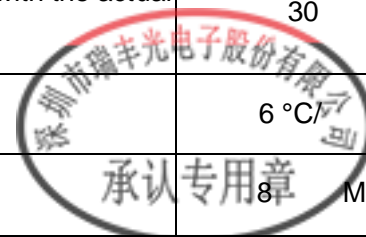


Fig.3-1 SMT Reflow Soldering Instructions SMT

Table 3-1 Reflow parameters

|  |                                 |                                       |               |
|--|---------------------------------|---------------------------------------|---------------|
| Average temperature rise speed                             | $T_{smax}$ $T_P$                | 3 °C/ s                               | Max 3 °C/ s   |
| Preheating: minimum temperature                            | ( $T_{smin}$ )                  | 150 °C                                |               |
| Preheating: Max temperature                                | ( $T_{smax}$ )                  | 200 °C                                |               |
| Preheating: Time   | $T_{smin}$ $T_{smax}$           | 60 - 120                              | 60s-120s      |
| Time limited to maintain high temperature: the temperature | ( $T_L$ )                       | 217 °C                                |               |
| Time limited to maintain high temperature: The Time        | ( $t_L$ )                       | 60                                    | Max 60s       |
| Peak /Classification of temperature:                       | / ( $T_P$ )                     | 260 °C                                |               |
| Time limit classification of peak temperature time         | $t_p$                           | 10                                    | Max 10s       |
| peak temperature ( $T_P$ )                                 | 5 °C                            | Hold time within 5 °C with the actual | 30 Max 30s    |
| Cooling speed  |                                 | 6 °C/ s                               | Max 6 °C/ s   |
| 25 °C  | Needed time from 25 °C to $T_p$ | 8                                     | Max 8 minutes |



Notes

(1)Reflow soldering should not be done more than twice. If more than 24 hours between the two solderings , LED will be damaged. 24 LED

(2)When soldering , do not put stress on the LEDs during heating.

3.1.1 Soldering Iron

(1) When do soldering by hand, keep the temperature of iron below less 300 less than 3 seconds. , 300 3

(2) Soldering by hand should be done only one time.

3.1.2 Repairing

Repairing should not be done after the LEDs have been soldered. When repairing is unavoidable,a double-head soldering iron should be used (as below figure). It should be confirmed in advance whether the characteristics of LEDs will or not be damaged by repairing.

LED

LED

3.1.3 Cautions

(1) The encapsulated material of the LEDs is silicone. Therefore the LEDs have a soft surface on the top of package. The pressure to the top surface will be impacted on the reliability of the LEDs. Precautions should be taken to avoid the strong pressure on the encapsulated part. So when use the picking up nozzle, the pressure on the silicone resin should be proper. LED LED

(2) Components should not be mounted on warped (non coplanar) portion of PCB. After soldering, do not warp the circuit board.LED PCB

(3) Do not apply mechanical force or excess vibration during the cooling process to normal temperature after soldering. Do not rapidly cool device after soldering.





## 4. Handling Precautions

### 4.1 Handling Precautions

(1) LED operating environment and sulfur element composition cannot be over 100PPM in the LED mating usage material. This is provided for informational purposes only and is not a warranty or endorsement. LED

LED

100PPM.

(2) In order to prevent external material from getting into the inside of LED, which may cause the malfunction of LED, the single content of Bromine element is required to be less than 900PPM, the single content of Chlorine element is required to be less than 900PPM, the total content of Bromine element and Chlorine element in the external materials of the application products is required to be less than 1500PPM. This is provided for

informational purposes only and is not a warranty or endorsement.

LED



Fig 4-1 Handling Precautions

(5) In designing a circuit, the current through each LED can not exceed the absolute maximum rating specified for each LED. In the mean while, resistors for protection should be applied, other wise slight voltage shift will cause big current change, burn out may happen. The driving circuit must be designed to allow forward voltage only when it is ON or OFF. If the reverse voltage is applied to LED, migration can be generated resulting in LED damage.

LED

LED

(6) Thermal Design is paramount importance because heat generation may result in the Characteristics decline, such as brightness decreased, Color change and so on. Please consider the heat generation of the LEDs when making the system design.

LED

(7) Compared to standard encapsulants, silicone is generally softer, and the surface is more likely to attract dust, requiring special care during processing. In cases where a minimal level of dirt and dust particles cannot be guaranteed, a suitable cleaning solution must be applied to the surface after the soldering of components. Refond suggests using isopropyl alcohol for cleaning. In case other solvents are used, it must be assured that these solvents do not dissolve the package or resin. Ultrasonic cleaning is not recommended. Ultrasonic cleaning may cause damage to the LED.

LED

Table 4-1 Storage

| Conditions |                             | Temperature | Humidity | Time                                      |
|------------|-----------------------------|-------------|----------|---|
| Storage    | Before Opening Aluminum Bag | 30          | 75%      | Within 1 Year From Date                   |
|            | After Opening Aluminum Bag  | 30          | 60%      | Recommended for use within 24 hours<br>24 |
| Baking     |                             | 60±5        | -        | 24hours<br>24                             |

(8) If the moisture absorbent material silica gel has faded away or the LEDs have exceeded the storage time, baking treatment should be performed after unpacking and based on the following condition 60±5 for above 24 hours. 60

±5 24

If the package is flatulence or damaged, please notify the sales staff to assist.

(9) Similar to most Solid state devices; LEDs are sensitive to Electro-Static Discharge (ESD) and Electrical Over Stress (EOS). LED

(10) Other points for attention, please refer to our relevant information.







www.refond.com

REFOND



Declare

This specification is written both in English and in Chinese and the latter is formal.